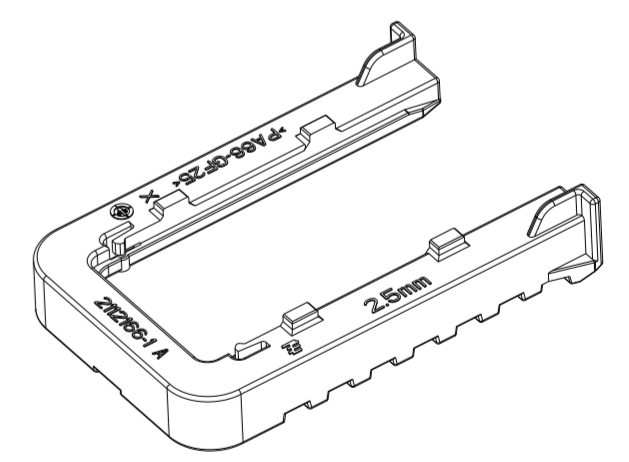
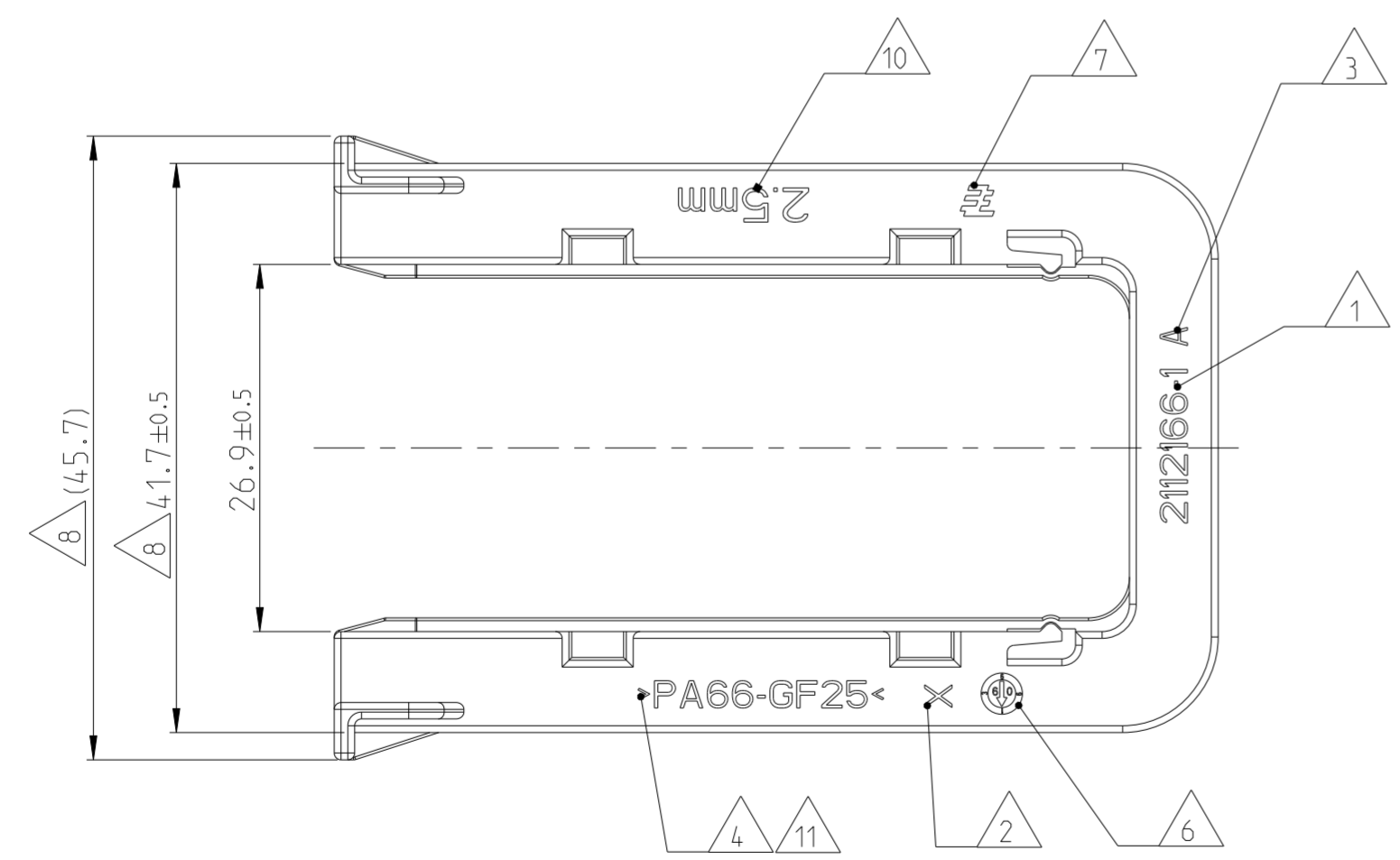
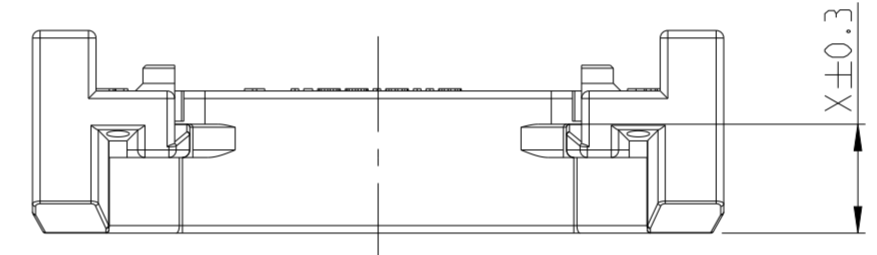
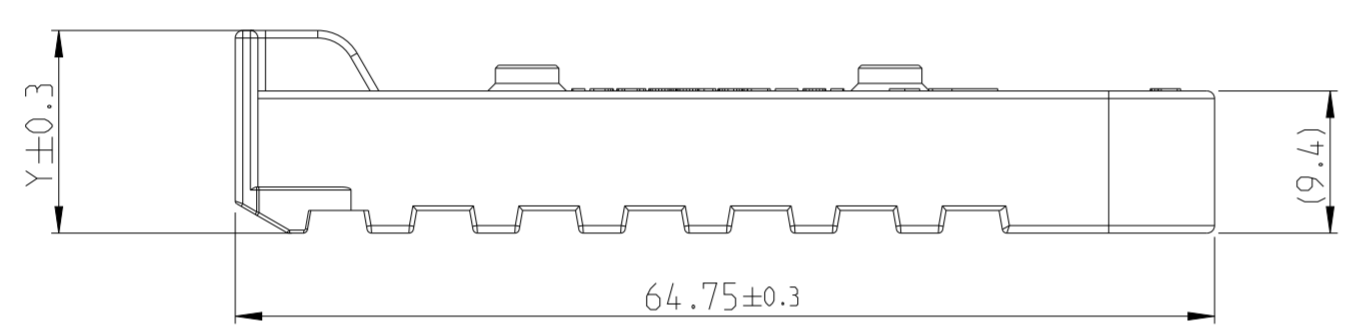
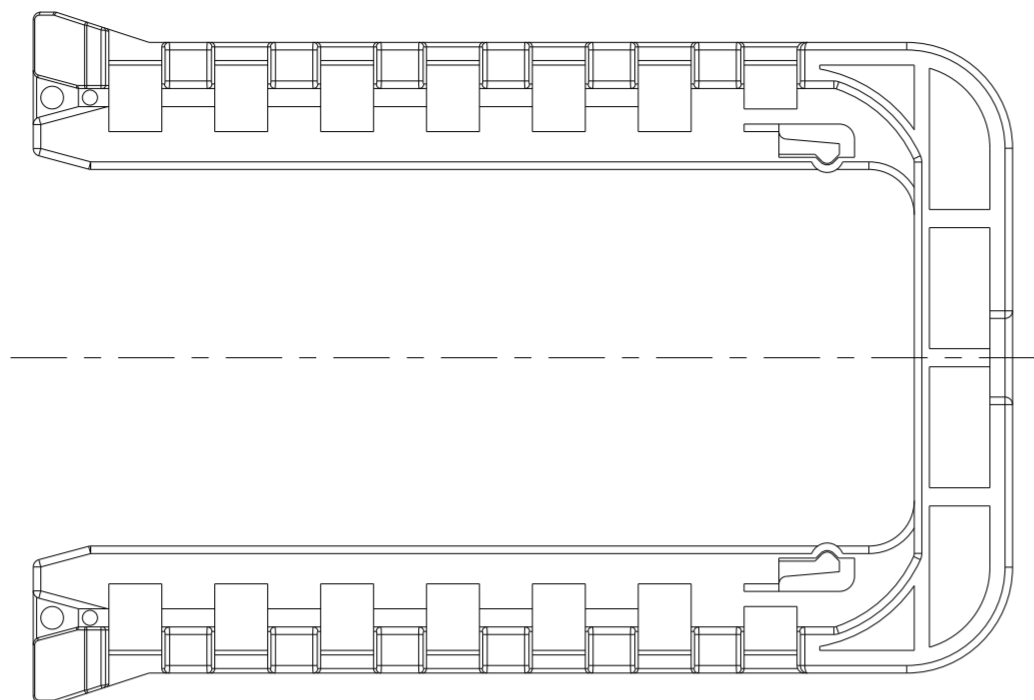


REVISIONS					
P	LTR	DESCRIPTION	DATE	DWN	APVD
A		NEW DRAWING CREATED	17SEP2009	NP	Ch E
A1		NEW VARIANTS ADDED SEE PCN: E-10-020858	08OCT2010	NP	Ch E
A2		PCN-21-121785	29NOV2021	DRK	AW
A3		PCN-22-135845	12APR2022	OB	AW

0-2112166-1 AS SHOWN
1-2112166-1 wie gezeigt



NOTES

Bemerkungen

- 1 TE ORDER-NO.
TE Bestell-Nr.
- 2 PRODUCTION DATE
Produktionsdatum
- 3 LETTER-INSERT FOR THE REVISION STATUS OF THE MOULD
Schriftsatz fuer Aenderungszustand des Werkzeuges
- 4 MATERIAL MARKING ACCORDING TO VDA 260
Werkstoffkennzeichnung nach VDA 260
- 5 BULK PACKAGING IN CORRUGATED BOX
Schuettgut im Versandkarton
- 6 MOULD CAVITY MARKING
Nestmarkierung
- 7 TE LOGO
TE Logo
- 8 WARPAGE PERMITTED UP TO -2mm FROM NOMINAL SIZE
Verzug zulaessig bis -2mm vom Nennmass
- 9 SUITABLE FOR TAB HOUSING WITH FLANGE
Passend zu Flachsteckergehaeusen mit Flansch
siehe 2112162
- 10 MARKING FOR SUITABLE SHEET METAL THICKNESS (NOMINAL SIZE)
Kennzeichnung fuer passende Blechstaecke (Nennmass)

THIS DRAWING IS A CONTROLLED DOCUMENT.

REV.	SHEET METAL THICKNESS Blechdicke	DIM X	DIM Y	MAT.	COLOUR Farbe	DESCRIPTION Beschreibung	ITEM
-	-	-	-	-	-	SLIDE, FOR 1.5mm SHEET METAL Schieber, fuer Blech 1.5mm Dicke	5
-	-	-	-	-	-	SLIDE, FOR 1mm SHEET METAL Schieber, fuer Blech 1mm Dicke	4
2112166-3	3.5±0.1mm	6.2	12.4	11 PA66-GF25/V-0	GREY grau	SLIDE, FOR 3.5mm SHEET METAL Schieber, fuer Blech 3.5mm Dicke	3
2112166-2	3±0.1mm	6.7	12.9	11 PA66-GF25/V-0	YELLOW gelb	SLIDE, FOR 3mm SHEET METAL Schieber, fuer Blech 3mm Dicke	2
2112166-1	2.5±0.1mm	7.2	13.4	11 PA66-GF25/V-0	RED rot	SLIDE, FOR 2.5mm SHEET METAL Schieber, fuer Blech 2.5mm Dicke	1

DIMENSIONS: mm	TOLERANCES UNLESS OTHERWISE SPECIFIED: ACC. TO DIN ISO 8015 ACC. TO DIN 16901-140
MATERIAL SEE TABLE material_2	FINISH SEE TABLE finish_spec_2

DWN N. Pfaffmann 17SEP2009		NAME SLIDE, FOR 21POS. Schieber, fuer 21pol. Flachsteckergehaeuse
CHK F. Eltrop 18SEP2009		APVD Ch. Eberwein 19SEP2009
PRODUCT SPEC		APPLICATION SPEC 114-18376
WEIGHT 7.9g	SIZE A2	CAGE CODE 00779
CUSTOMER DRAWING	DRAWING NO C-2112166	RESTRICTED TO -
SCALE 2:1	SHEET 1 OF 1	REV A3